

ACI-PMEJ075 AC Industrial Motor



FEATURES

- 750 Watts
- IEC Frame Size 80
- Three Phase AC Motor
- Insulation Class F
- Rugged Exterior: IP55 Rated
- Foot (leg) Mount OR Flange Mount
- Duty Rating: Continuous
- Total Enclosed Fan Cooled



DESCRIPTION

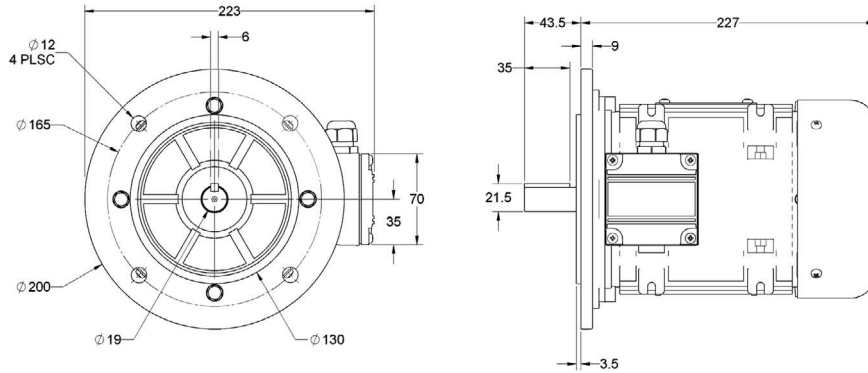
Anaheim Automation's AC Industrial Motors come in two different mounting options: Leg (foot) mount and the flange mount option. Both the ACI-PMEJ075-4R4LAT and the ACI-PMEJ075-4R4FAT run up to 1,710 RPM and deliver 750 Watts of power. All of our ACI-PMEJ075 AC Industrial motors are 3 phase, and can be wired to run off of 220VAC or 380VAC at a frequency of 60Hz.

SPECIFICATIONS

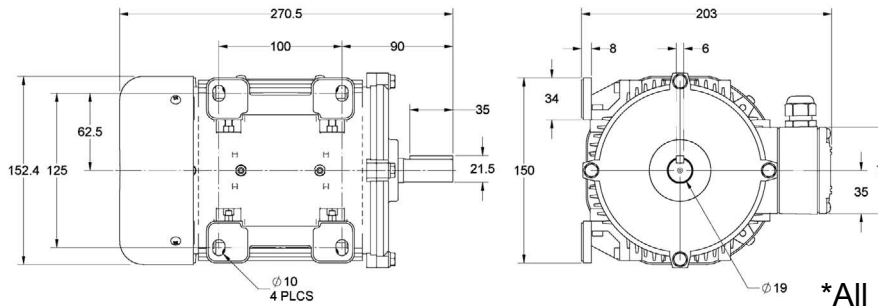
Model #	Input Voltage (VAC)	Mounting Type	Power (W)	Rated Motor Speed (RPM)	Rated Motor Torque (oz-in)	Motor Length (mm)	Weight (lbs)	IP Rating	Motor Poles	Insulation Class
ACI-PMEJ075-4R4LAT	220/380	Foot (leg)	750	1710	602	225	25.5	IP55	4	F
ACI-PMEJ075-4R4FAT	220/380	Flange	750	1710	602	225	26	IP55	4	F

L010775

Flange

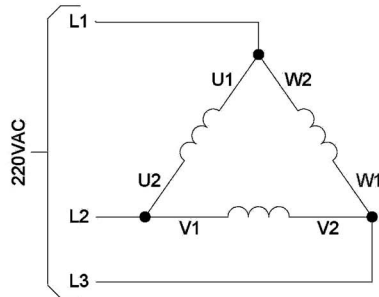


Foot (leg)

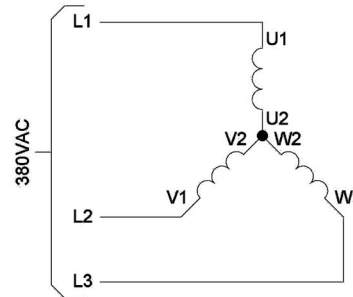


*All units are in mm

220VAC WIRING FOR ACI-PM MOTORS



380VAC WIRING FOR ACI-PM MOTORS



Capacitor: uF/VAC	Not Required	Duty Cycle:	Continuous
Phase:	Three-Phase	Ambient Temp:	-10°C ~ 40°C
Frequency:	60Hz	Ambient Humidity:	Under 85% without Condensation
AC Motor Type	Industrial	Insulation Rating	F (155°C)

Note: For effective cooling, secure a space of more than 55mm from the cooling inlet at the back of the motor.
 Note: Avoid operation in flammable conditions.